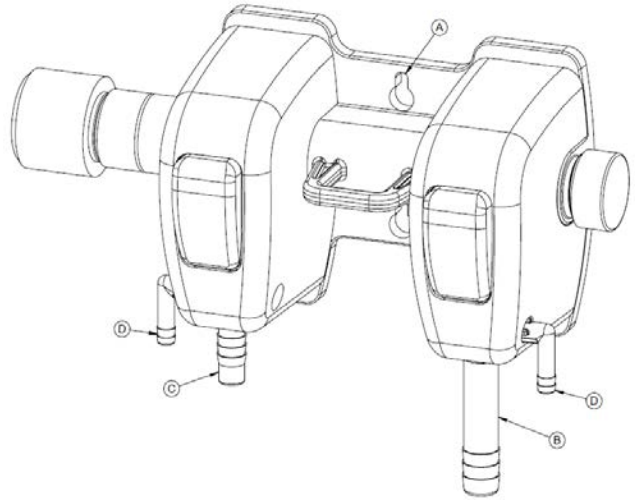


Package Contents

- Dispensing unit
- Supply tubes
- Discharge tubes
- Metering tip kit
- Mounting anchor kit
- Hose swivel
- Hose hanger
- End cap
- Zip tie

Installation and Operation

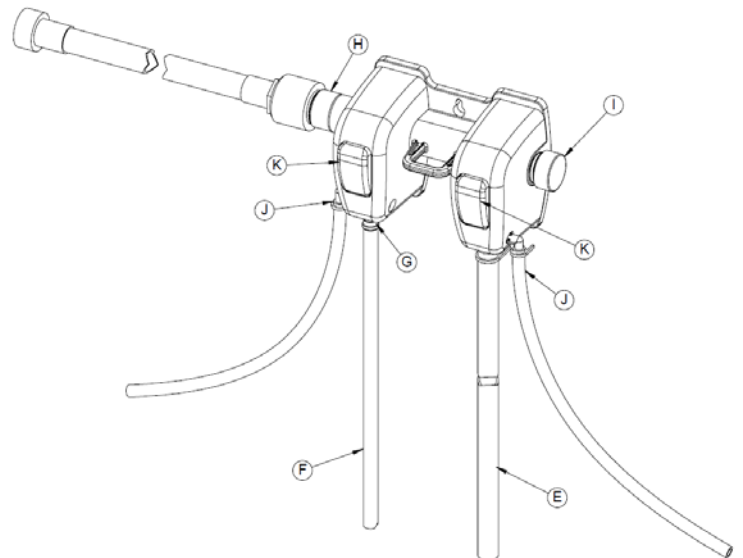
1. **Mounting Instructions:** Drill mounting holes and insert plastic drywall anchors (provided) into the holes. Using the screws provided, secure the unit to the wall. (A)
2. **High/Low Flow Selection:**
 1. Eductor with long barb = high flow (B)
 2. Eductor with short barb = low flow (C)



3. **Metering Tip Selection (if needed):**
Select appropriate metering tip based on dispenser flow rates (chart on reverse) and insert into the appropriate chemical draw 90° barb on side of eductor (see #2 High/Low Flow Selection above) (D).
4. **Discharge Tube Connection**
 - Connect the long, flexible discharge tube (E) to the High Flow (long barb) eductor (B).
 - Connect the short, less flexible discharge tube (F) to the Low Flow (short barb) eductor (C).
 - Be sure discharge tubes are fully engaged with the barb by pushing the tube all the way up to the bottom housing of the eductor (G); for added security, secure with zip tie (included).

5. Water Supply* Connection

- Connect water supply hose – at least ½" ID – to water inlet swivel on either side of the manifold (H); close off opposite side with included cap (I).
- Turn on water; minimum of 30 PSI water pressure is required for proper operation.



6. Closed Loop Chemical Connection

Using RD Cap Adapter in conjunction with RD Bottle Insert (not supplied with kit), attach chemical supply tube (J) to appropriate 90° barb (D) for proper dispensing.

7. Closed Loop Dispensing

- Place bottle/bucket under appropriate discharge tube.
- Prime supply tube by pushing the button (K) to start the flow of chemical/water solution; hold until solution starts flowing; repeat for other side.
- When ready to dispense, push and hold button until desired amount fills bottle/bucket**.
- Be sure the discharge tube is not obstructed; otherwise, water will flow back out the eductor vents.

***Hard Water Notice:** Scale may form inside the discharge end of the eductor, as well as any other parts exposed to hard water, which can cause the unit to clog and malfunction.

****Dilution:** For proper dilution, dispense only one side at a time – do NOT dispense both sides at the same time.

Baseline Metering Ratios:

Metering Tip in Dispenser				
Oz	Ratio	WD 1 GPM	WD 2 GPM	WD 3.5 GPM
0.5	1:256	Orange	Lt Green	Peach
1	1:128	Pink	Pale Gray	Lt Blue
2	1:64	Dk Gray	Lt Blue	Teal
4	1:32	Caramel	Gray	Dk Purple
6	1:21	Gray	Dk Purple	Black
8	1:16	Dk Red	Black	No Tip
10	1:13	Violet	Lt Orange	N/A

Safety Precautions:

- Always wear protective clothing and eyewear when dispensing chemicals or other materials
- Observe safety and handling instructions of the chemical manufacturers
- Direct discharge away from you and other persons into approved containers
- Dispense cleaners/chemicals in accordance with manufacturer’s instructions
- Turn off water supply to the Saftfil™ unit after every use
- Keep equipment clean to maintain proper operation

For more information on the Saftfil™ dispensing system, please contact your account representative.

RD Industries, Inc.
7417 N 101 Street
Omaha, NE 68122

